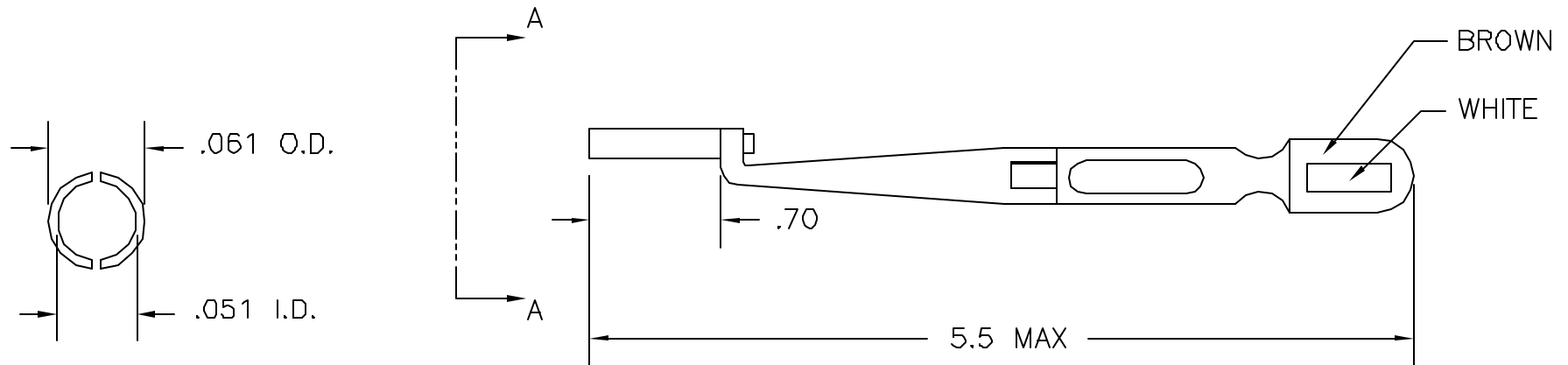



REVISIONS				
REV. SYN.	E.C.D. NUMBER	DESCRIPTION	BY DATE	APP'D DATE
1		ORIGINAL RELEASE	JWJ 3/16/00	RRR 3/16/00



VIEW A-A

**UNCONTROLLED DOCUMENT  
WILL NOT BE UPDATED**

<b>RESTRICTED &amp; CONFIDENTIAL</b>		ITEM	PART NO.	QTY.	DESCRIPTION/REMARKS
CONFIDENTIAL PROPERTY OF DANIELS MANUFACTURING CORP. NOT TO BE DISCLOSED TO OTHERS, REPRODUCED OR USED FOR ANY OTHER PURPOSE, EXCEPT AS AUTHORIZED IN WRITING BY DANIELS MANUFACTURING. MUST BE RETURNED TO DANIELS MANUFACTURING CORP. ON COMPLETION OF ORDER OR OTHER PURPOSE FOR WHICH LENT.		URN.	J. JOYCE	DATE 3/16/00	 <b>DANIELS MANUFACTURING CORP.</b> ORLANDO, FLORIDA CASE 11851
		CHK'D.	RRR	DATE 3/16/00	
		APP'D.		DATE	
		APP'D.		DATE	
DO NOT SCALE DRAWING		TITLE			REMOVAL TOOL #22 ENVELOPE DRAWING
		WHERE USED:			
		SIZE E	SCALE NTS	CAP P/N DRK438-ENV	SHEET 1
		POSTING	P/N DRK438-ENV	REV. 1	