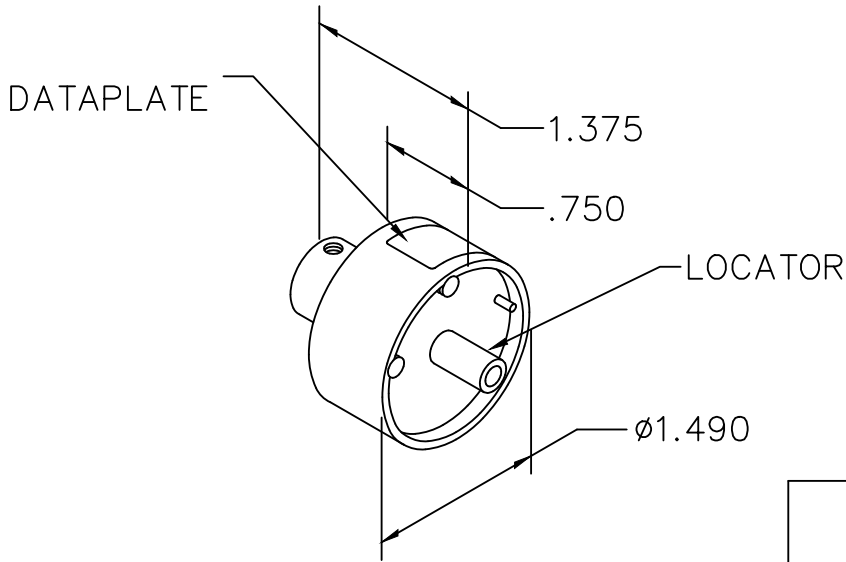


| REVISIONS |               |             |                |               |
|-----------|---------------|-------------|----------------|---------------|
| REV. SYM. | E.C.O. NUMBER | DESCRIPTION | BY DATE        | APP'D DATE    |
| 2         |               | REDRAWN     | AAM<br>6-30-93 | DE<br>6-30-93 |

**UNCONTROLLED DOCUMENT  
WILL NOT BE UPDATED**



|   |   |
|---|---|
| DMC-USA CAGE 11851<br>G2P330 HEAD ASSEMBLY<br>M22520/31-02<br><br>USE WITH<br>M22520/31-01 BASIC TOOL | M39029/27<br>M39029/28<br>M39029/75<br><br>OUTER PIN & SOCKET |
|---|---|

DATAPLATE

| LOCATOR                   |                      |
|---------------------------|----------------------|
| HOLE DIMENSIONS           | ADDITIONAL FEATURES  |
| $\phi$ .164<br>↴.641 MIN. | $\phi$ .193<br>↴.013 |

RESTRICTED & CONFIDENTIAL

CONFIDENTIAL PROPERTY OF DANIELS MANUFACTURING CORP. NOT TO BE DISCLOSED TO OTHERS, REPRODUCED OR USED FOR ANY OTHER PURPOSE, EXCEPT AS AUTHORIZED IN WRITING BY DANIELS MANUFACTURING. MUST BE RETURNED TO DANIELS MANUFACTURING CORP. ON COMPLETION OF ORDER OR OTHER PURPOSE FOR WHICH LENT.

DO NOT SCALE DRAWING

|                      |                 |
|----------------------|-----------------|
| DRN.<br>A. MOO-YOUNG | DATE<br>6-30-93 |
| CHK'D.<br>JWV        | DATE<br>6-30-93 |
| APP'D.               | DATE            |
| APP'D.               | DATE            |



**TITLE**  
 ENVELOPE DRAWING  
 SINGLE POSITION HEAD  
 M22520/31-02  
 WHERE USED: GS200-1, GS200

**NOTE:**  
 THIS DRAWING IS AN OUTLINE DRAWING OF THE RESPECTIVE DMC PART NUMBER INDICATED. ACTUAL DMC PART NUMBER IS DRAWING NUMBER WITHOUT THE "-ENV" SUFFIX.

|           |                        |                       |              |
|-----------|------------------------|-----------------------|--------------|
| SIZE<br>A | SCALE<br>NTS           | CAD P/N<br>G2P330-ENV | SHEET 1 OF 1 |
| POSTING   | DWG. NO.<br>G2P330-ENV | REV.<br>2             |              |