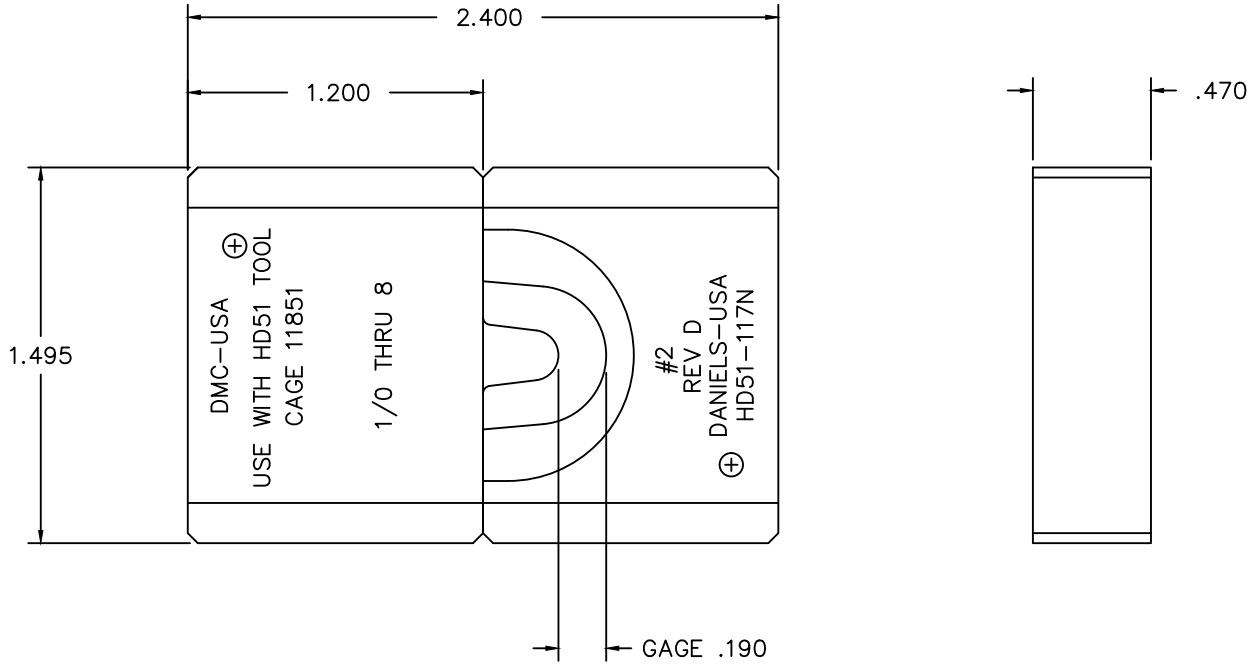


REVISIONS				
REV. SYM.	E.C.O. NUMBER	DESCRIPTION	BY DATE	APP'D DATE
1		ORIGINAL RELEASE	E.D. 9-18-96	DE 9-18-96
D		REVISED GAGING	ENF 5-16-11	DE 5-16-11



- 2. USE GAGE G1153 TO CHECK
- 1. USED FOR SIZE #2 AWG NON-INSULATED TERMINALS.

**UNCONTROLLED DOCUMENT  
WILL NOT BE UPDATED**

<b>RESTRICTED &amp; CONFIDENTIAL</b>		MATERIAL		ITEM	PART NO.	QTY.	DESCRIPTION/REMARKS				
CONFIDENTIAL PROPERTY OF DANIELS MANUFACTURING CORP. NOT TO BE DISCLOSED TO OTHERS, REPRODUCED OR USED FOR ANY OTHER PURPOSE, EXCEPT AS AUTHORIZED IN WRITING BY DANIELS MANUFACTURING. MUST BE RETURNED TO DANIELS MANUFACTURING CORP. ON COMPLETION OF ORDER OR OTHER PURPOSE FOR WHICH LENT.		HEAT TREAT		DRN.	E. DIAZ	DATE	<b>DANIELS MANUFACTURING CORP.</b> ORLANDO, FLORIDA CAGE 11851				
				CHK'D.	DE	DATE					
				APP'D.		DATE					
				APP'D.		DATE					
DO NOT SCALE DRAWING		FINISH		NOTE:		WHERE USED:					
				THIS DRAWING IS AN OUTLINE DRAWING OF THE RESPECTIVE DMC PART NUMBER INDICATED. ACTUAL DMC PART NUMBER IS DRAWING NUMBER WITHOUT THE *-ENV* SUFFIX.				SIZE	SCALE	CAD P/N	SHEET OF
				B		2X		HD51-117N-ENV		1 1	
				POSTING		DWG. NO.		HD51-117N-ENV		REV. D	