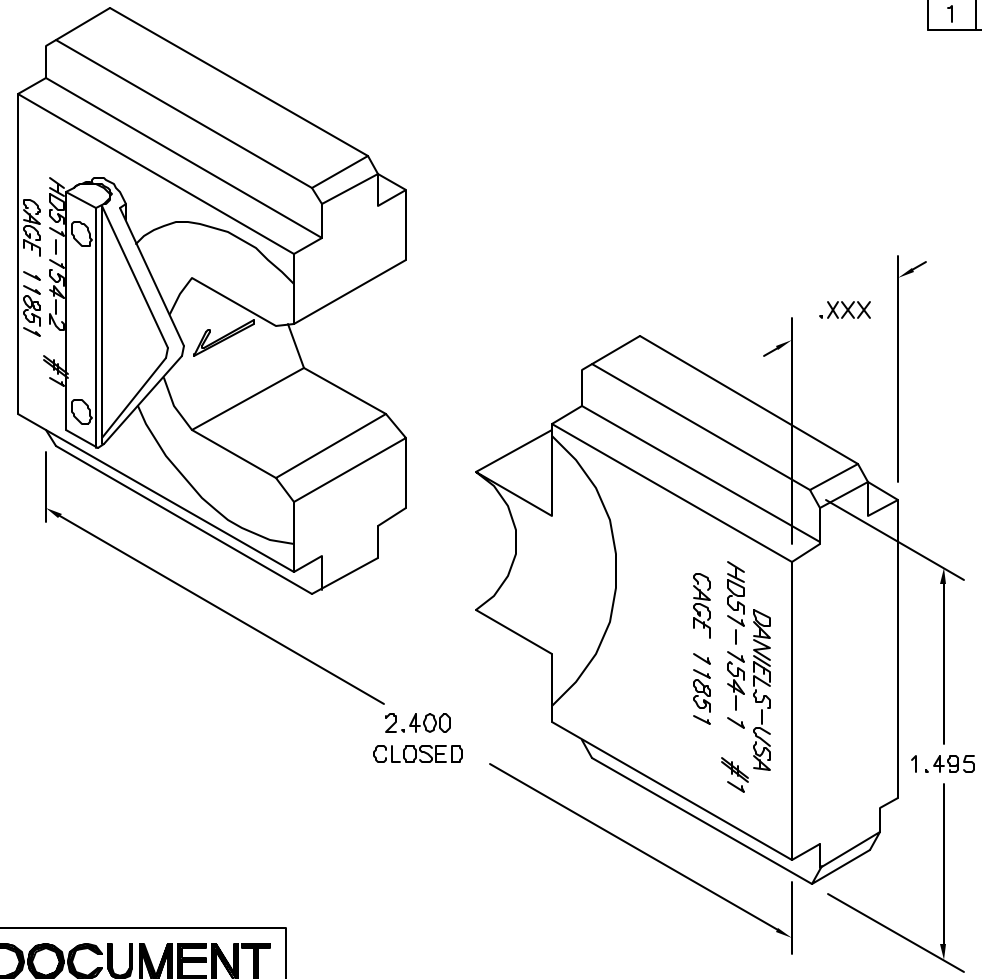



REVISIONS				
REV. STN.	E.C.Q. NUMBER	DESCRIPTION	BY DATE	APP'D DATE
1		ORIGINAL RELEASE	JWJ 3/18/03	RRR 3/18/03



**UNCONTROLLED DOCUMENT
WILL NOT BE UPDATED**

2. GAGING DIM: $.339 \pm .002$ - CHECK WITH GAGE G726.
 1. EQUIVALENT TO MS23002-1; FOR USE WITH MS25036 SIZE 1.

NOTES:

RESTRICTED & CONFIDENTIAL CONFIDENTIAL PROPERTY OF DANIELS MANUFACTURING CORP. NOT TO BE DISCLOSED TO OTHERS, REPRODUCED OR USED FOR ANY OTHER PURPOSE, EXCEPT AS AUTHORIZED IN WRITING BY DANIELS MANUFACTURING. MUST BE RETURNED TO DANIELS MANUFACTURING CORP. ON COMPLETION OF ORDER OR OTHER PURPOSE FOR WHICH LENT.	MATERIAL	ITEM	PART NO.	QTY.	DESCRIPTION/REMARKS
	HEAT TREAT	DRN J. JOYCE	DATE 3/18/03		 DANIELS MANUFACTURING CORP. ORLANDO, FLORIDA CAGE 11851
	FINISH	CHK'D RRR	DATE 3/18/03		
		APP'D	DATE		
	APP'D	DATE			
DO NOT SCALE DRAWING		NOTE: THIS DRAWING IS AN OUTLINE DRAWING OF THE RESPECTIVE DMC PART NUMBER INDICATED. ACTUAL DMC PART NUMBER IS DRAWING NUMBER WITHOUT THE "-ENV" SUFFIX.		TITLE DIE SET #1 ENVELOPE DRAWING	
		WHERE USED: SIZE B SCALE NTS CAD P/N HD51-154-ENV SHEET OF 1 OF 1		DWG. NO. HD51-154-ENV REV. 1	