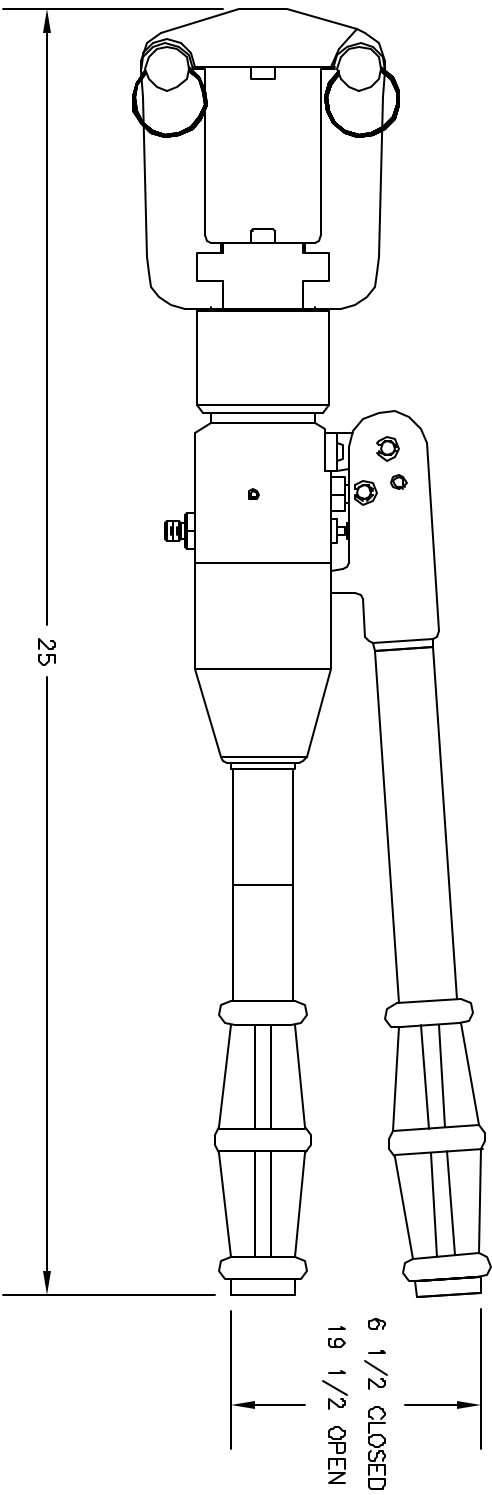


REVISIONS			
REV. NO.	DESCRIPTION	DATE	APP'D
1	ORIGINAL RELEASE	1/28/01	1/28/01



**UNCONTROLLED DOCUMENT
WILL NOT BE UPDATED**

RESTRICTED & CONFIDENTIAL CONFIDENTIAL PROPERTY OF DANIELS MANUFACTURING CORP. NOT TO BE REPRODUCED OR TRANSMITTED IN ANY FORM OR BY ANY MEANS, ELECTRONIC OR MECHANICAL, INCLUDING PHOTOCOPYING, RECORDING, OR BY ANY INFORMATION STORAGE AND RETRIEVAL SYSTEM, WITHOUT THE EXPRESS WRITTEN PERMISSION OF DANIELS MANUFACTURING CORP. ALL RIGHTS RESERVED. THIS DOCUMENT IS THE PROPERTY OF DANIELS MANUFACTURING CORP. AND IS TO BE RETURNED TO DANIELS MANUFACTURING CORP. ON COMPLETION OF ORDER OR AS DIRECTED BY THE PURCHASER.		MATERIAL		ITEM		PART NO.		DESCRIPTION/REM ARKS	
HEAT TREAT		FINISH		DRN	J. JOYCE	DATE	1/28/01	QTY.	1
APPR'D.		DATE		CHK'D.	RRR	DATE	1/28/01	TITLE	
APPR'D.		DATE		APPR'D.		DATE		CRIMPING TOOL ENVELOPE DRAWING	
WHERE USED		DAD P/N		SIZE		SCALE		SHEET	
PUSHING		HH80C-ENV		B		NTS		1 OF 1	
		HH80C-ENV		P/M		HH80C-ENV		REV 1	

DO NOT SCALE DRAWING