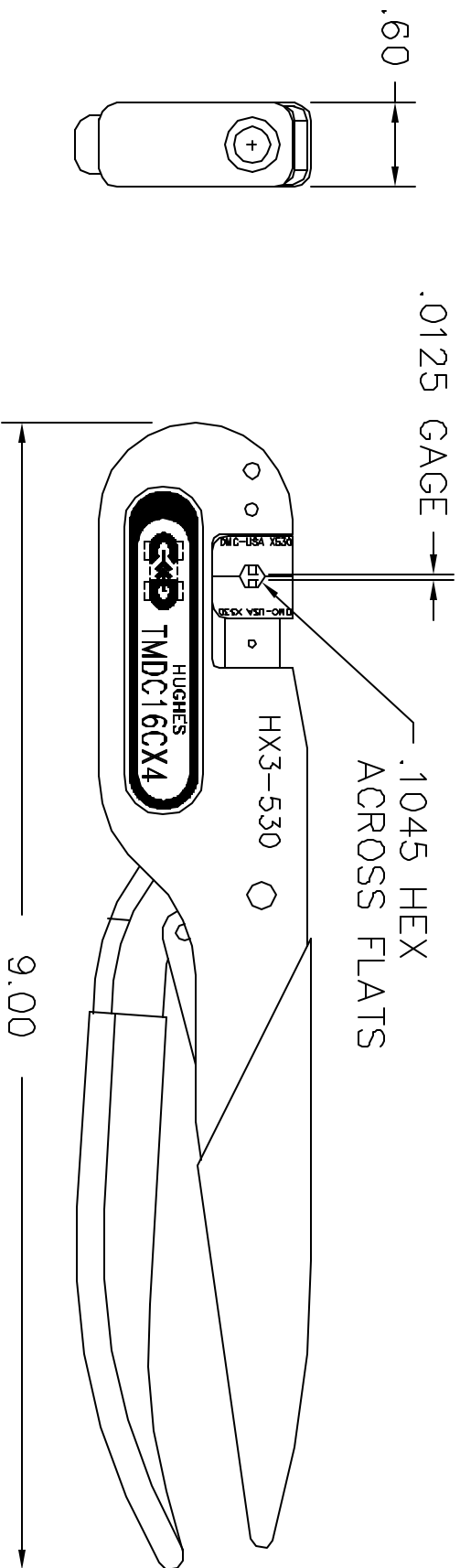


REVISIONS				
REV. SYM.	E.C.O. NUMBER	DESCRIPTION	BY DATE	APP'D DATE
2		ADDED "HX3-530" TO PART	JWJ 5/15/99	RRR 5/15/99



**UNCONTROLLED DOCUMENT
WILL NOT BE UPDATED**

RESTRICTED & CONFIDENTIAL
 CONFIDENTIAL PROPERTY OF DANIELS MANUFACTURING CORP. NOT TO BE DISCLOSED TO OTHERS, REPRODUCED OR USED FOR ANY OTHER PURPOSE, EXCEPT AS AUTHORIZED IN WRITING BY DANIELS MANUFACTURING. MUST BE RETURNED TO DANIELS MANUFACTURING CORP. ON COMPLETION OF ORDER OR OTHER PURPOSE FOR WHICH SENT.

DO NOT SCALE DRAWING

ITEM	PART NO.	QTY.	DESCRIPTION/REMARKS
DRN. J. JOYCE CHK'D. RRR	DATE 5/15/99 DATE 5/15/99		
APP'D.	DATE		
APP'D.	DATE		
NOTE: THIS DRAWING IS AN OUTLINE DRAWING OF THE RESPECTIVE DMG PART NUMBER INDICATED. ACTUAL DMG PART NUMBER IS DRAWING NUMBER WITHOUT THE "-ENV" SUFFIX.			
TITLE		DMG DANIELS MANUFACTURING CORP. ORLANDO, FLORIDA CAGE 11851	
WHERE USED:		CRIMP TOOL WITH X530 DIE ENVELOPE DRAWING	
SIZE A	SCALE NTS	CAD FILE NO. HX3-530-ENV	SHEET 1 OF 1
POSTING		DWG. NO. HX3-530-ENV	REV. 2