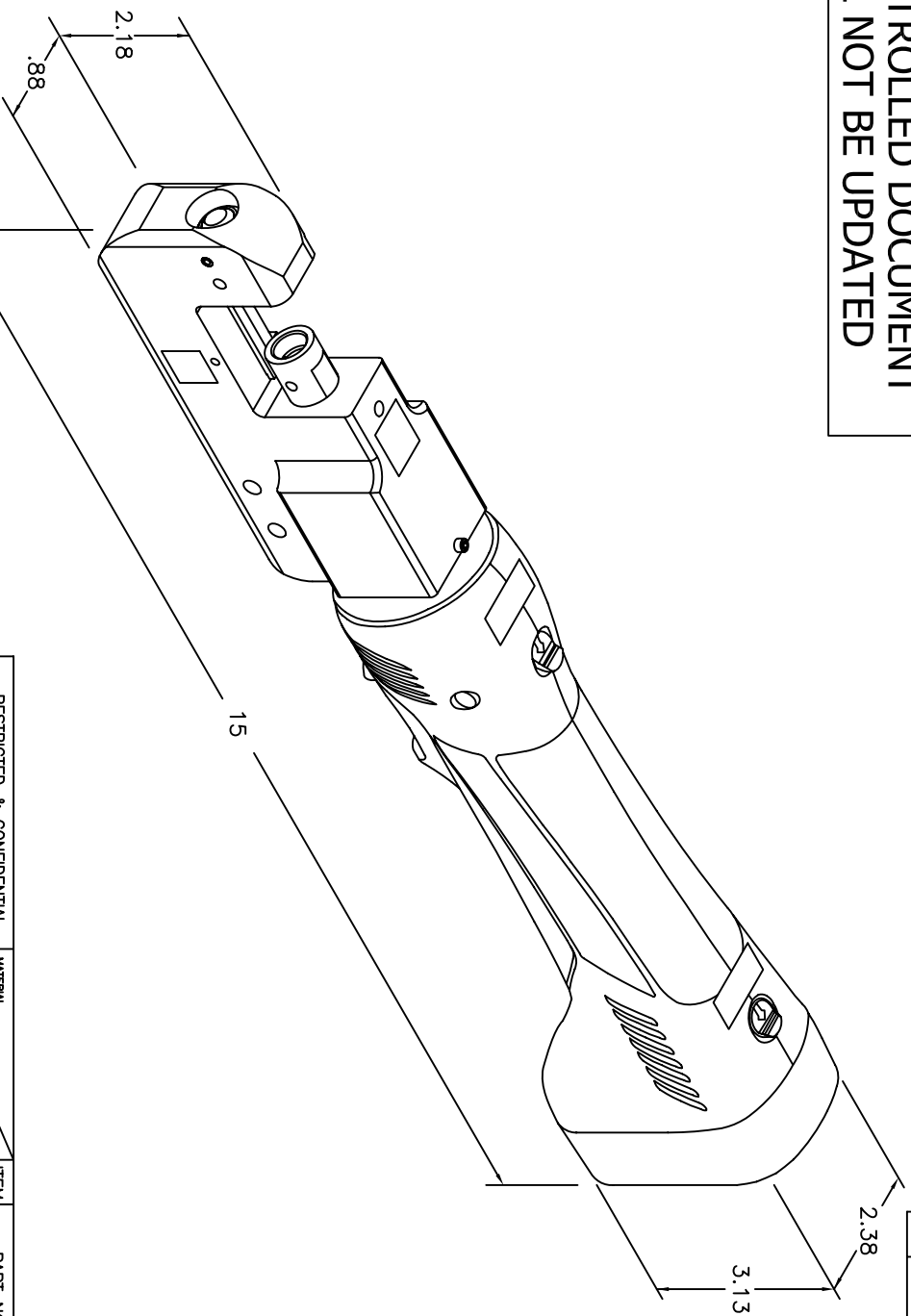


UNCONTROLLED DOCUMENT
WILL NOT BE UPDATED



1. TOOL ENVELOPE 15" X 2.38" X 3.13" (L x W x H)
2. TOOL WEIGHT 3.18 lb.
3. TOOL CRIMP FORCE = 1.5 TONS.
4. ACCEPTS ALL M22520/5-XX "Y" DIES.
5. 360° ROTATING HEAD.

NOTES:

REVISIONS				DESCRIPTION		BY DATE		APP'D DATE	
REV. SYM.	NUMBER	DESCRIPTION	BY	DATE	APP'D	DATE	REV.	DATE	DATE
1		ORIGINAL RELEASE	K. KOONS	12.16.05	RRR	12.16.05	1		

RESTRICTED & CONFIDENTIAL		MATERIAL		ITEM		PART NO.		QTY.		DESCRIPTION/REMARKS	
CONFIDENTIAL PROPERTY OF DANIELS MANUFACTURING CORP. NOT TO BE REPRODUCED OR COPIED FOR OTHERS. REPRODUCED EXCEPT AS AUTHORIZED IN WRITING BY DANIELS MANUFACTURING. MUST BE RETURNED TO DANIELS MANUFACTURING CORP. ON COMPLETION OF ORDER OR OTHER PURPOSE FOR WHICH SENT.		HEAT TREAT		DRN. K. KOONS		DATE 12.16.05		DANIELS MANUFACTURING CORP. ORLANDO, FLORIDA CAGE 11851		TITLE BATTERY POWERED HYDRAULIC CRIMP TOOL ENVELOPE DRAWING	
		FINISH		CHR'D. RRR		DATE 12.16.05					
DO NOT SCALE DRAWING		NOTE: THIS DRAWING IS AN OUTLINE DRAWING OF THE RESPECTIVE DIMC PART NUMBER INDICATED. ACTUAL DIMC PART NUMBER WITHOUT THE "-ENV" SUFFIX		APP'D.		DATE		WHERE USED:		SHEET 1 OF 1	
				DATE		DMC NO. HXE4-ENV		REV. 1			