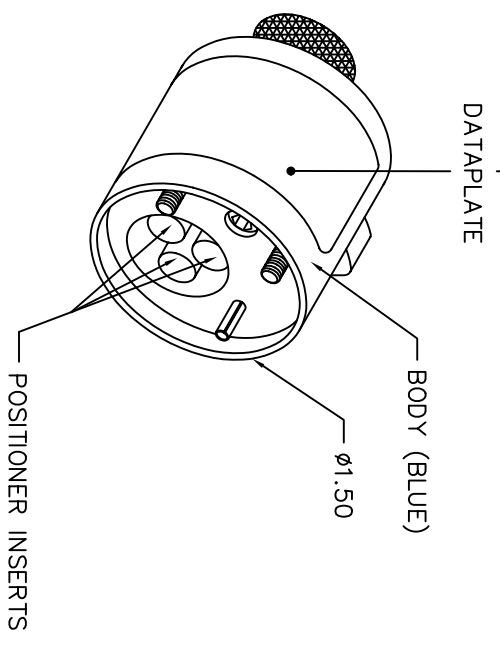


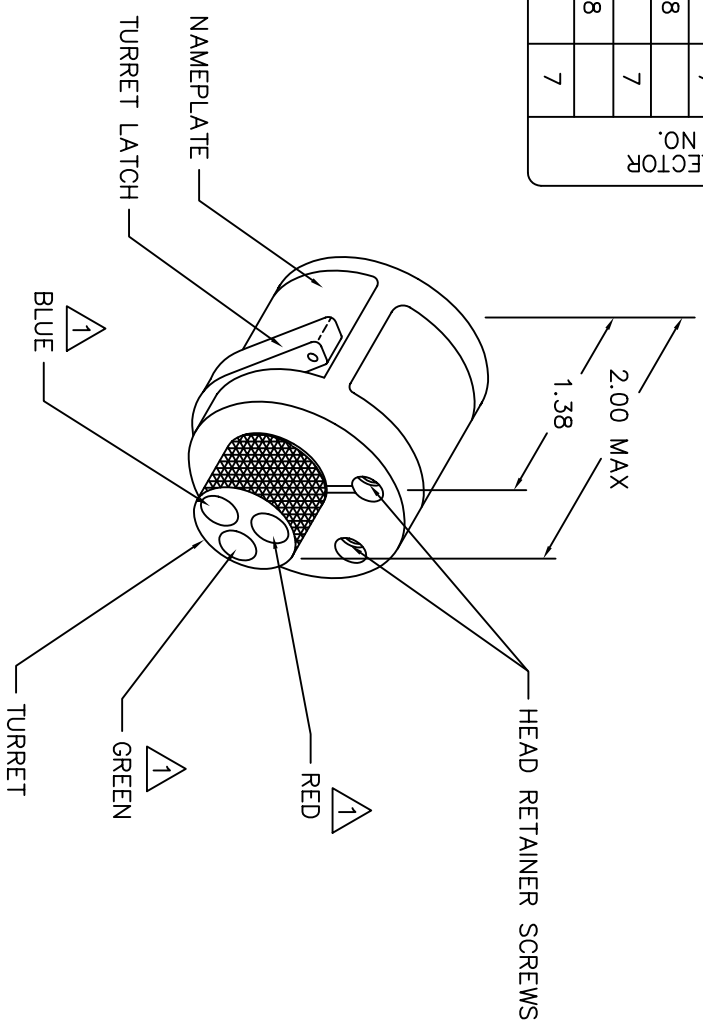
REVISIONS			
REV. STYL.	E.C.O. NUMBER	DESCRIPTION	BY DATE
1		ORIGINAL RELEASE	JMS 88 3-25-88

**UNCONTROLLED DOCUMENT
WILL NOT BE UPDATED**

M39012 /	POSITIONER COLOR	RG 142B/U	RG 213/U	RG 214/U	RG 225/U	RG 3593/U	RG 400/U	WIRE SIZE
03-0501				8	8	8	8	
03-0502	GREEN		8					
03-0503		7						7
35-0501, 36-0501 & 38-0501	BLUE			8	8	8	8	
35-0503, 36-0503 & 38-0503		7						7
40-0501	RED			8	8	8	8	
40-0503		7						7



POSITIONER COLOR	HOLE DIMENSIONS	ADDITIONAL FEATURES
GREEN	Ø.125 ±.779	
BLUE	Ø.096 ±.686	□ Ø.125 ±.472
RED	Ø.125 ±.892	



1 RANDOM ORDER OF ROTATION IS ACCEPTABLE.

* HOLE AND COUNTERBORE DEPTHS ARE MEASURED FROM TOP OF POSITIONER INSERTS.

RESTRICTED & CONFIDENTIAL		COMPANIAL PROPERTY OF DANIELS MANUFACTURING CORP. NOT TO BE DISCLOSED TO OTHERS, REPRODUCED OR USED FOR ANY OTHER PURPOSE, EXCEPT AS AUTHORIZED IN WRITING BY DANIELS MANUFACTURING. MUST BE RETURNED TO DANIELS MANUFACTURING FOR OTHER PURPOSE FOR WHICH LENT.	
ITEM	PART NO.	QTY.	DESCRIPTION/REMARKS
DRWL	JMS 3-25-88		DANIELS MANUFACTURING CORP. ORLANDO, FLORIDA CASE 11851
CHK'D.	TS 3-25-88		
APP'D.	AAM 3-25-88		
NOTE: THIS DRAWING IS AN OUTLINE DRAWING OF THE RESPECTIVE INDICATED PART NUMBER. PART NUMBER IS DRAWING NUMBER WITHOUT THE "-ENV" SUFFIX.			
TITLE		SCALE	CAD P/N
ENVELOPE DRAWING		B	TH286-ENV
TURRET HEAD (M22520/1-14)		NTS	TH286-ENV
WHERE USED: AFB		SHEET	OF
		1	1
DO NOT SCALE DRAWING		DWG. NO.	TH286-ENV