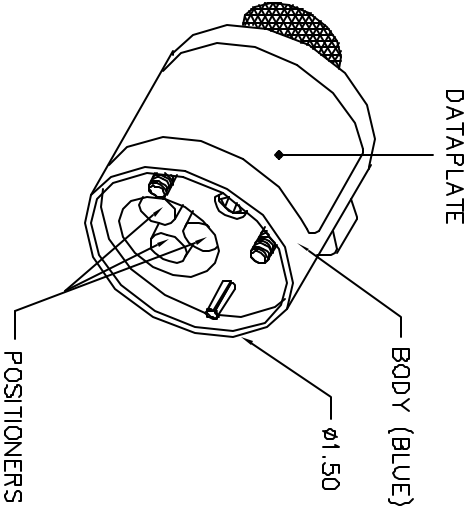


REVISIONS			
REV. NO.	E.C.D. NUMBER	DESCRIPTION	BY DATE
1		ORIGINAL RELEASE	BY DATE

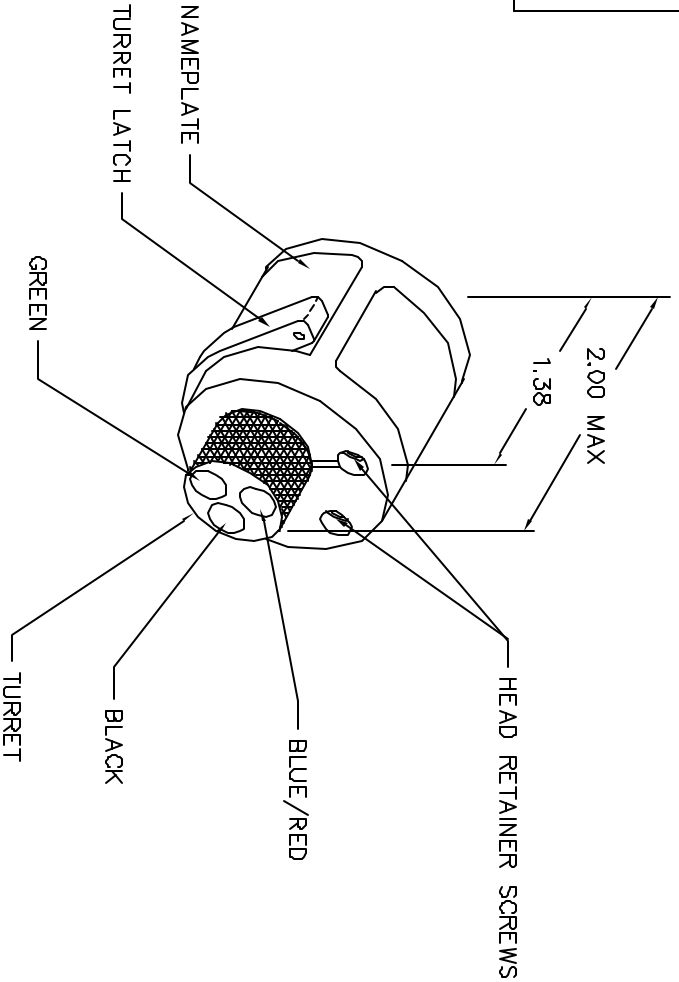
**UNCONTROLLED DOCUMENT  
WILL NOT BE UPDATED**

CONTACT	POSITIONER COLOR	26	24	22	20	18	16	WIRE SIZE
MS17B03	16 BLUE				6	7	7	SELECTOR NO.
04, 07, & 08	20 RED		4	5	6			
OS12B14 BASIC TYPE P & M	16 BLACK				4	5	6	
M21097/9-01	22 BLACK	2	3	4				
	20 GREEN	1	2	3	4			

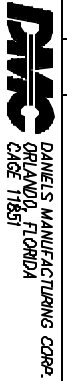


POSITIONER COLOR	* HOLE DIMENSIONS	ADDITIONAL FEATURES
BLUE/RED	φ.106 ±.492	□ φ.135 ±.181
BLACK	φ.093 ±.589	□ φ.129 ±.329
GREEN	φ.067 ±.182	

\* HOLE DEPTH DIMENSIONS ARE TAKEN FROM THE TOP OF THE POSITIONER INSERTS.



RESTRICTED & CONFIDENTIAL		CONFIDENTIAL PROPERTY OF DANIELS MANUFACTURING CORP. NOT TO BE DISCLOSED TO OTHERS, REPRODUCED OR TRANSMITTED IN ANY FORM OR BY ANY MEANS, WITHOUT THE WRITTEN PERMISSION OF DANIELS MANUFACTURING CORP. ON COMPLETION OF ORDER OR OTHER PURPOSE FOR WHICH INT.	
ITEM	PART NO.	QTY.	DESCRIPTION/REMARKS
DAN. M. MOD-104UNG	DATE 10-29-88		
DRKS	RRR	DATE 10-29-88	
APFD	DATE		
APFD	DATE		
TITLE		WHERE USED: A/B	
ENVELOPE DRAWING		SIZE SCALE	
TURRET HEAD		B NTS	
		POSTING	
		CAD P/N	
		TH4-ENV	
		SHEET 1 OF 1	
		REV. 1	



DO NOT SCALE DRAWING