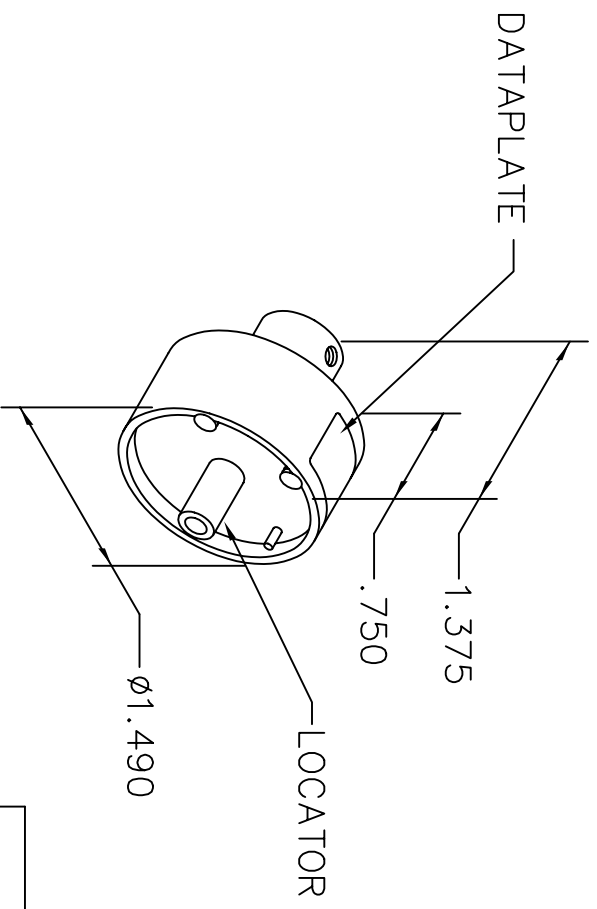


REVISIONS				
REV. SYM.	E.C.O. NUMBER	DESCRIPTION	BY DATE	APP'D DATE
1		ORIGINAL RELEASE	AAM 5-11-98	RRR 5-11-98

**UNCONTROLLED DOCUMENT
WILL NOT BE UPDATED**



M22520/1-10	M39029/17-12-12	12	14	WIRE SIZE
DANIELS MFG. CORP. ORLANDO, FL U.S.A. TP365		7	6	SEL. NO.
USE WITH M22520/1-01 BASIC TOOL				


DATAPLATE

LOCATOR	
HOLE DIMENSIONS	ADDITIONAL FEATURES
ø.171 ±.745	

RESTRICTED & CONFIDENTIAL

CONFIDENTIAL PROPERTY OF DANIELS MANUFACTURING CORP. NOT TO BE DISCLOSED TO OTHERS, REPRODUCED OR USED FOR ANY OTHER PURPOSE, EXCEPT AS AUTHORIZED IN WRITING BY DANIELS MANUFACTURING. MUST BE RETURNED TO DANIELS MANUFACTURING CORP. ON COMPLETION OF ORDER OR OTHER PURPOSE FOR WHICH LENT.

DO NOT SCALE DRAWING

DRN. A. MOO-YOUNG	DATE 5-11-98	 DANIELS MANUFACTURING CORP. ORLANDO, FLORIDA CAGE 11851	TITLE		SHEET 1 OF 1
CHK'D. RRR	DATE 5-11-98		ENVELOPE DRAWING SINGLE POSITION HEAD M22520/1-10		
APP'D.	DATE		WHERE USED: AF8		
APP'D.	DATE	SIZE A	SCALE NTS	CAD P/N TP365-ENV	REV. 1
NOTE: THIS DRAWING IS AN OUTLINE DRAWING OF THE RESPECTIVE DMC PART NUMBER INDICATED. ACTUAL DMC PART NUMBER IS DRAWING NUMBER WITHOUT THE "-ENV" SUFFIX.		POSTING		DMG. NO. TP365-ENV	