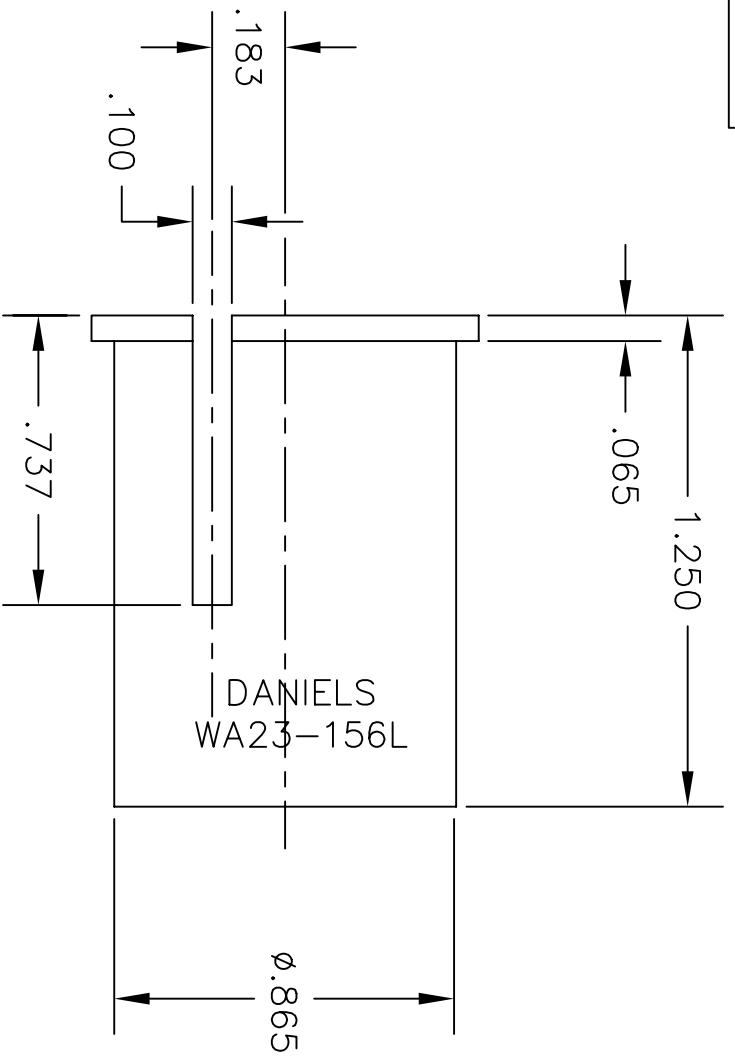
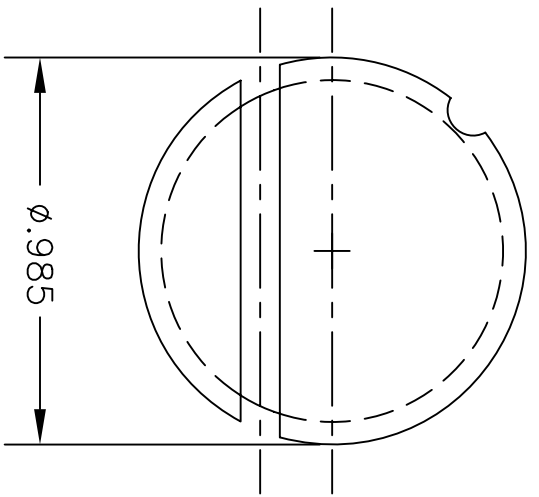


**UNCONTROLLED DOCUMENT
WILL NOT BE UPDATED**

REVISIONS

REV. SYM.	E.C.O. NUMBER	DESCRIPTION	BY DATE	APP'D DATE
1		ORIGINAL RELEASE	J. JOYCE 10/4/06	RRR 10/4/06



RESTRICTED & CONFIDENTIAL

CONFIDENTIAL PROPERTY OF DANIELS MANUFACTURING CORP. NOT TO BE DISCLOSED TO OTHERS, REPRODUCED OR USED FOR ANY OTHER PURPOSE, EXCEPT AS AUTHORIZED IN WRITING BY DANIELS MANUFACTURING. MUST BE RETURNED TO DANIELS MANUFACTURING CORP. ON COMPLETION OF ORDER OR OTHER PURPOSE FOR WHICH LENT.

MATERIAL		ITEM		PART NO.		QTY.		DESCRIPTION/REMARKS	
HEAT TREAT		DRN.	J. JOYCE	DATE	10/4/06	<p style="text-align: center;">DMC</p> <p style="text-align: center;">DANIELS MANUFACTURING CORP. ORLANDO, FLORIDA CAGE 11851</p> <p style="text-align: center;">LOCATOR ENVELOPE DRAWING</p>			
FINISH		CHK'D.	RRR	DATE	10/4/06				
		APP'D.		DATE					
DO NOT SCALE DRAWING		NOTE:		WHERE USED:		CAD P/N		SHEET OF	
		THIS DRAWING IS AN OUTLINE DRAWING OF THE RESPECTIVE DMC PART NUMBER INDICATED. ACTUAL DMC PART NUMBER IS DRAWING NUMBER WITHOUT THE "-ENV" SUFFIX.		A		WA23-156L-ENV		1	
				POSTING		DMG. NO.		REV.	
						WA23-156L-ENV		1	