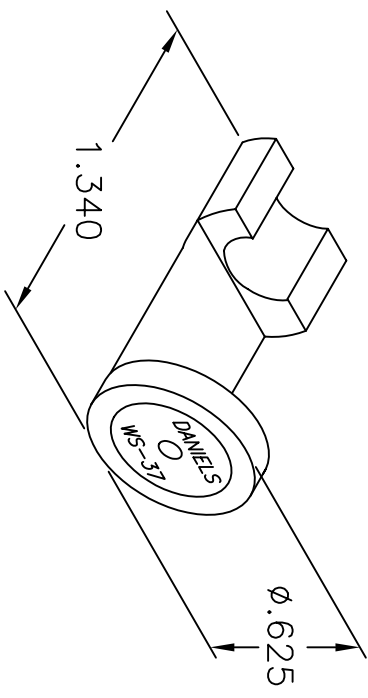


**UNCONTROLLED DOCUMENT
WILL NOT BE UPDATED**

REVISIONS				
REV. SYM.	E.C.O. NUMBER	DESCRIPTION	BY DATE	APP'D DATE
1		ORIGINAL RELEASE	JWJ 12/11/03	RRR 12/11/03



1. KINGS EQUIVALENT KTD-77.

NOTES:

RESTRICTED & CONFIDENTIAL		CONFIDENTIAL PROPERTY OF DANIELS MANUFACTURING CORP. NOT TO BE DISCLOSED TO OTHERS, REPRODUCED OR USED FOR ANY OTHER PURPOSE, EXCEPT AS AUTHORIZED IN WRITING BY DANIELS MANUFACTURING. MUST BE RETURNED TO DANIELS MANUFACTURING CORP. ON COMPLETION OF ORDER OR OTHER PURPOSE FOR WHICH LENT.	
DO NOT SCALE DRAWING	ITEM	PART NO.	DESCRIPTION/REMARKS
	DRN.	DATE	
	J. JOYCE	12/11/03	
	CHK'D. RRR	DATE 12/11/03	
	APP'D.	DATE	
	APP'D.	DATE	
NOTE: THIS DRAWING IS AN OUTLINE DRAWING OF THE RESPECTIVE DMG PART NUMBER INDICATED. ACTUAL DMG PART NUMBER IS DRAWING NUMBER WITHOUT THE "-ENV" SUFFIX.		TITLE DIELECTRIC TRIM JIG ENVELOPE DRAWING	
WHERE USED:		CAD P/N	
SIZE	SCALE	WS-37-ENV	SHEET 1 OF 1
A	NTS		
POSTING	DWG. NO.	WS-37-ENV	REV. 1