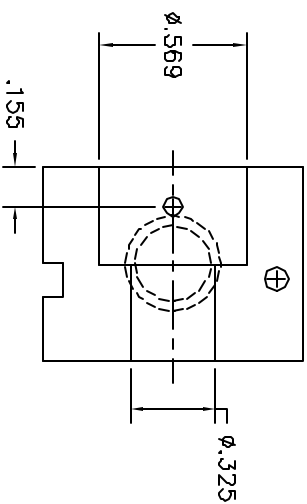
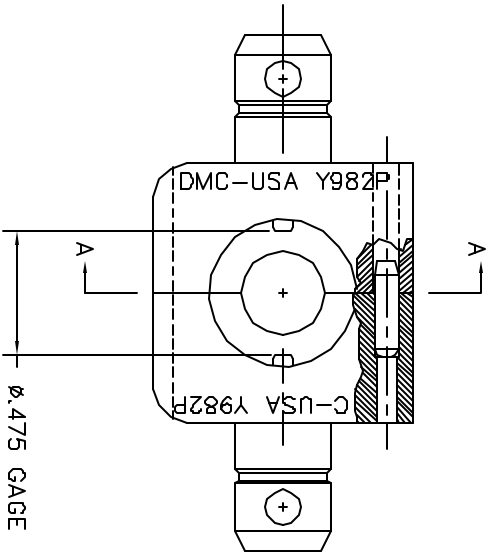
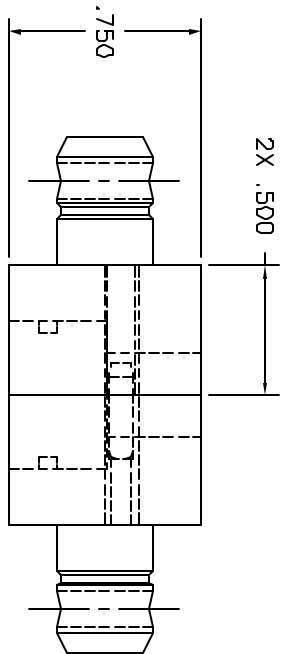


REVISIONS				
REV. SYM.	EQ. NUMBER	DESCRIPTION	BY DATE	APP'D DATE
1		ORIGINAL RELEASE	RRR 2/19/03	RRR 2/19/03



SECTION A-A
TYP. 2 HALVES

UNCONTROLLED DOCUMENT
WILL NOT BE UPDATED

RESTRICTED & CONFIDENTIAL
CONFIDENTIAL PROPERTY OF DANIELS
MANUFACTURING CORP. NOT TO BE
DISCLOSED TO OTHERS, REPRODUCED
OR USED FOR ANY OTHER PURPOSE
EXCEPT AS AUTHORIZED IN WRITING
BY DANIELS MANUFACTURING
CORPORATION. ALL RIGHTS RESERVED.
NO PART OF THIS DOCUMENT IS TO BE
REPRODUCED OR TRANSMITTED IN ANY
FORM OR BY ANY MEANS, ELECTRONIC
OR MECHANICAL, INCLUDING PHOTOCOPYING,
RECORDING, OR BY ANY INFORMATION
SYSTEM, WITHOUT PERMISSION IN WRITING
FROM DANIELS MANUFACTURING CORP.
OR OTHER PURPOSER FOR
WHICH LENT.

MATERIAL		ITEM		PART NO.		QTY.		DESCRIPTION/REMARKS	
HEAT TREAT		DRN.	J. JOYCE	DATE	2/19/03				
		CHK'D.	RRR	DATE	2/19/03				
FINISH		APP'D.		DATE					
		APP'D.		DATE					
TITLE		WHERE USED		SIZE		SCALE		DWD P/N	
DIE SET ENVELOPE DRAWING		2X		B		2X		Y982P-ENV	
SHEET 1 OF 1		REV. 1		P/M		Y982P-ENV			

DO NOT SCALE DRAWING



DANIELS MANUFACTURING CORP.
ORLANDO, FLORIDA
GAGE 11851