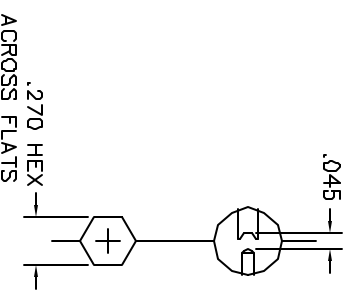
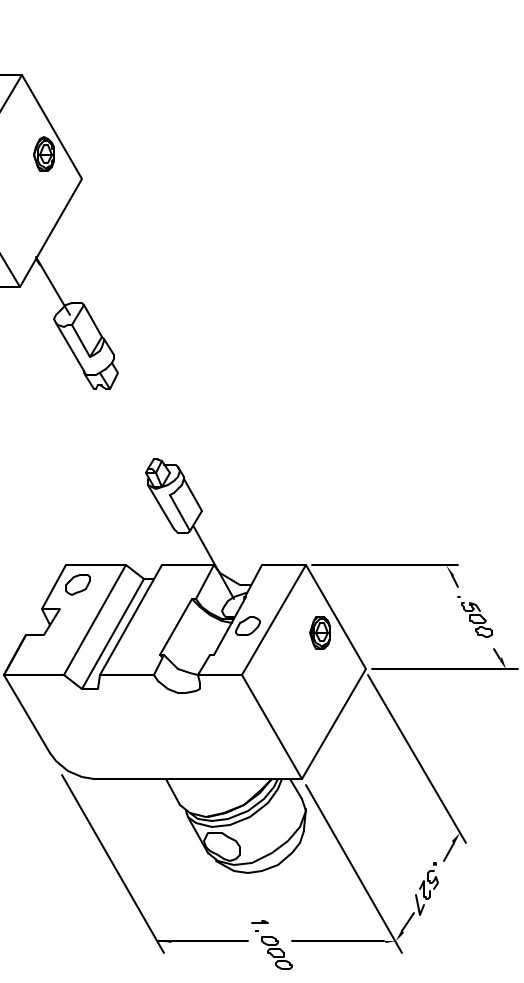
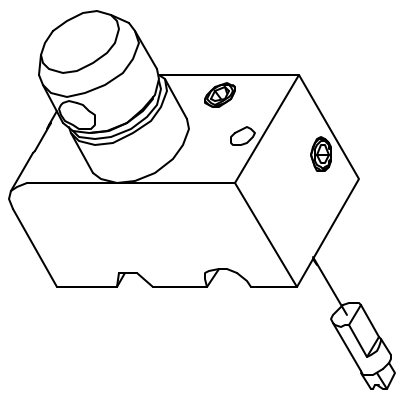


REVISIONS			
REV. SYMB.	EQD. NUMBER	BY DATE	APPRO. DATE
1	ORIGINAL RELEASE	BR-22-00	BR-22-00



GAGING DIM'S



**UNCONTROLLED DOCUMENT
WILL NOT BE UPDATED**

RESTRICTED & CONFIDENTIAL		MATERIAL		ITEM		PART NO.		QTY.		DESCRIPTION/REMARKS	
CONFIDENTIAL PROPERTY OF DANIELS DISCLOSED TO OTHERS, REPRODUCED OR USED FOR ANY OTHER PURPOSE EXCEPT AS AUTHORIZED IN WRITING BY DANIELS MANUFACTURING MANUFACTURING CORP. ON COMPLETION OF ORDER OR OTHER PURPOSE FOR WHICH LEFT.		HEAT TREAT		TRM.	DATE	W/P LTYER	DATE				
		FINISH		Q-KD.	RRR	APPRO.	DATE				
DO NOT SCALE DRAWING				APPRO.	DATE						
				TITLE		WHERE USED		SIZE		SCALE	
				DIE SET		ENVELOPE DRAWING		B		1 1	
				DANIELS MANUFACTURING CORP.		ORLANDO, FLORIDA		Y983-ENV		1 1	
				CAGE 11851				Y983-ENV		1 1	
								Y983-ENV		1 1	