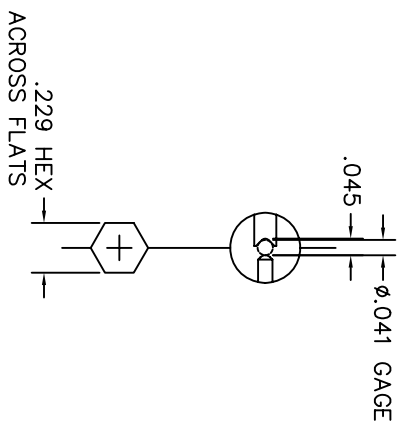
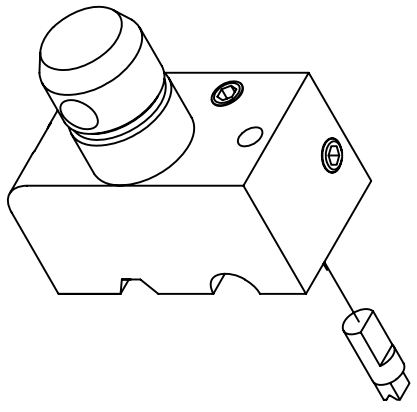
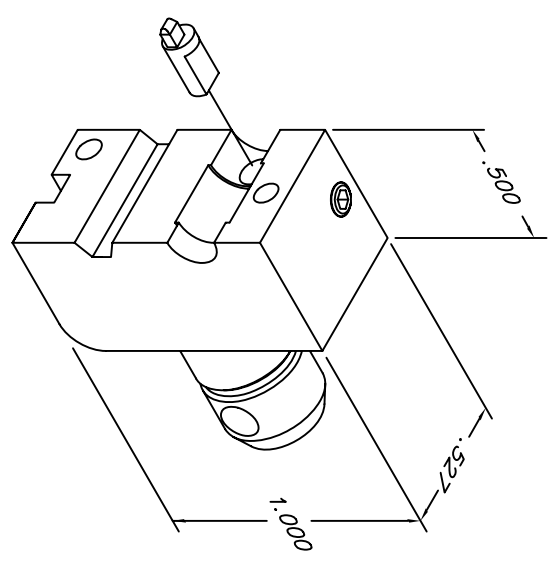


REVISIONS				
REV. SYM.	E.C.O. NUMBER	DESCRIPTION	BY DATE	APP'D DATE
2		ADDED Ø.041 GAGE	1-9-07	1-9-07



**UNCONTROLLED DOCUMENT
 WILL NOT BE UPDATED**

RESTRICTED & CONFIDENTIAL		CONFIDENTIAL PROPERTY OF DANIELS MANUFACTURING CORP. NOT TO BE REPRODUCED OR USED FOR ANY OTHER PURPOSE EXCEPT AS AUTHORIZED IN WRITING BY DANIELS MANUFACTURING. MUST BE RETURNED TO DANIELS MANUFACTURING CORP. ON COMPLETION OF ORDER OR FOR ANY OTHER PURPOSE FOR WHICH INT.	
MATERIAL		FINISH	
HEAT TREAT		DO NOT SCALE DRAWING	
ITEM	PART NO.	QTY.	DESCRIPTION/REMARKS
DRAWN: W. PLYTER	DATE: 2-23-00		 DANIELS MANUFACTURING CORP. ORLANDO, FLORIDA CASE 11851
CHK'D: RRR	DATE: 2-23-00		
APP'D:	DATE:		
NOTE: THIS DRAWING IS AN OUTLINE DRAWING OF THE RESPECTIVE DIE SET PART NUMBER AND PART NUMBER IS DRAWING NUMBER WITHOUT THE "-ENV" SUFFIX.			
WHERE USED:		DIE SET ENVELOPE DRAWING	
SCALE: B	CAD P/N: Y984-ENV	SHEET OF: 1	REV: 1
POSTING: NTS	DWG. NO.: Y984-ENV		REV: 2