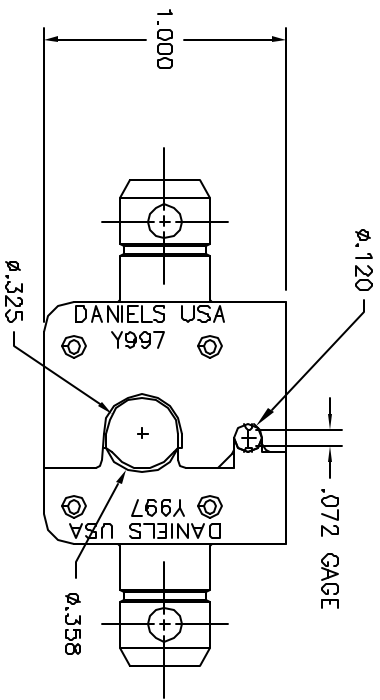
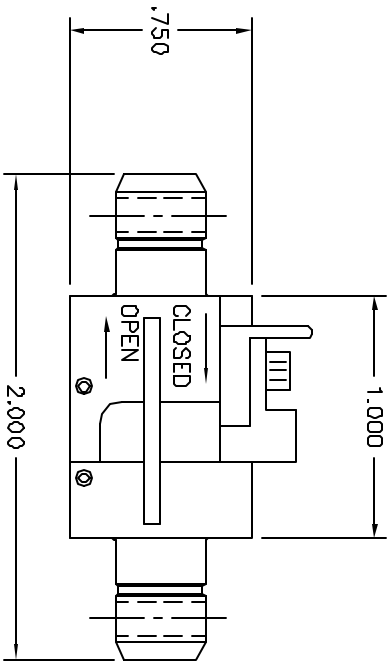


REV.	SYMBOL	DESCRIPTION	DATE	BY	APP'D
1		ORIGINAL RELEASE	7/15/02	K. KOONS	7/19/02



**UNCONTROLLED DOCUMENT  
WILL NOT BE UPDATED**

1. FUNCTIONAL EQUIVALENT TO AMP 220015-3.  
NOTES:

RESTRICTED & CONFIDENTIAL		MATERIAL		ITEM		PART NO.		QTY.		DESCRIPTION/REMARKS	
GENERAL PROPERTY OF DANIELS MANUFACTURING CORP. NOT TO BE DISCLOSED TO OTHERS, REPRODUCED OR USED FOR ANY OTHER PURPOSE EXCEPT AS AUTHORIZED IN WRITING BY DANIELS MANUFACTURING CORP. ON COMPLETION OF ORDER OR OTHER PARAPHRASE FOR WHICH MADE.											
HEAT TREAT		FINISH		DRAWN BY K. KOONS		DATE 7/19/02		CHECKED BY K. KOONS		DATE 7/19/02	
APPROVAL		DATE		TITLE		WHERE USED		SCALE		SHEET OF	
				DIE SET ENVELOPE DRAWING		DANIELS MANUFACTURING CORP. ORLANDO, FLORIDA CASE 1785T		B NTS		1 1	
DO NOT SCALE DRAWING						Y997-ENV		P/M		Y997-ENV	